

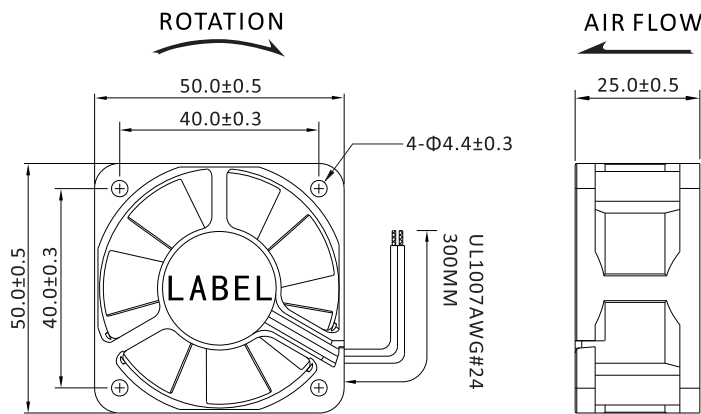
50x50x25mm
DC 5V, 12V, 24V

General Specifications

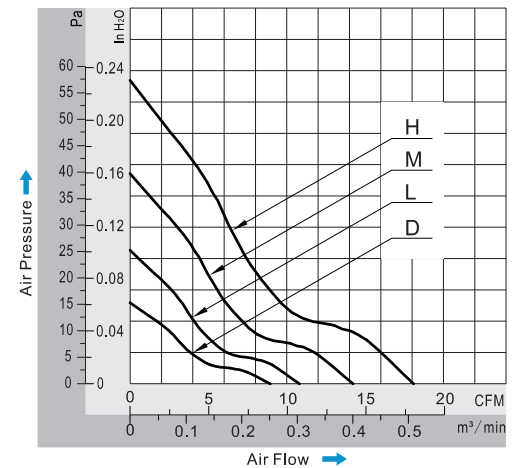
- Material..... Frame: Plastic (UL94V-0)
Impeller: Plastic (UL94V-0)
Lead Wire: UL1007AWG#24 or Equivalent (+)Red, (-)Black
- Expected Life..... Ball Bearing 50.000hrs (40°C)
Sleeve Bearing 30.000hrs (40°C)
- Temperature Range.. Operating temperature -10°C~+70°C (Non-condensing)
Storage temperature -40°C~+70°C (Non-condensing)



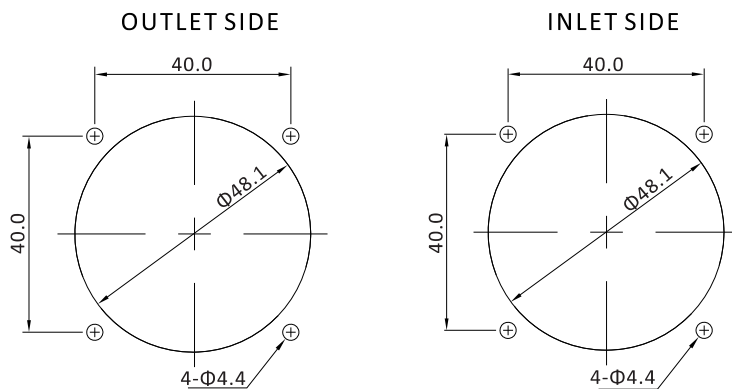
Dimensions (Unit: mm)



PQ Curve (At Rated Voltage)



Mounting Panel Cutout (Unit: mm)



Safety Standards



DC Fans Specials



Specifications

Model	Bearing Type	Rated Voltage	Operating Voltage	Rated Current	Input Power	Speed	Max Air Flow		Max Static Pressure		Noise	Weight
Part No.	B/S	VDC	VDC	Amp	Watt	RPM	CFM	m³/min	Inch-H2O	PA	dB-A	g
DA05025#05L	B.S	5	3,5~5,5	0,24	1,20	4000	11,13	0,315	0,10	25	27	35
DA05025#05D	B.S	5	3,5~5,5	0,19	0,95	3000	7,50	0,212	0,06	15	23	35
DA05025#12H	B.S	12	7,0~13,8	0,22	2,64	6000	17,83	0,505	0,23	57	37	35
DA05025#12M	B.S	12	7,0~13,8	0,16	1,92	5000	14,43	0,408	0,16	40	31	35
DA05025#12L	B.S	12	7,0~13,8	0,12	1,44	4000	11,13	0,315	0,10	25	27	35
DA05025#12D	B.S	12	7,0~13,8	0,08	0,96	3000	7,50	0,212	0,06	15	23	35
DA05025#24H	B.S	24	14,0~27,6	0,17	4,08	6000	17,83	0,505	0,23	57	37	35
DA05025#24M	B.S	24	14,0~27,6	0,11	2,64	5000	14,43	0,408	0,16	40	31	35
DA05025#24L	B.S	24	14,0~27,6	0,09	2,16	4000	11,13	0,315	0,10	25	27	35