

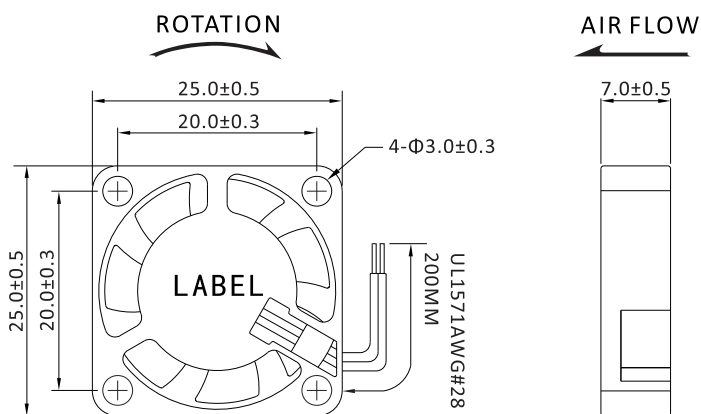
25x25x07mm
DC 5V, 12V



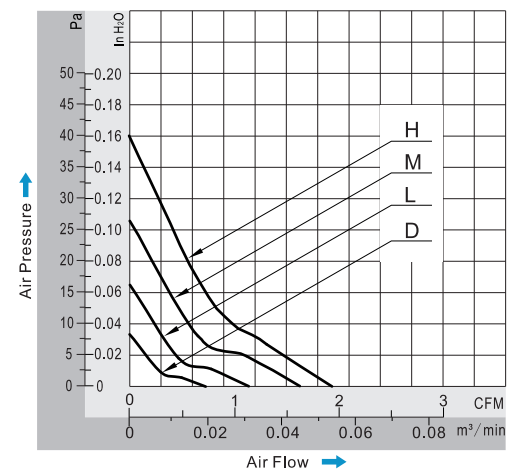
General Specifications

- ◆ Material..... Frame: Plastic (UL94V-0)
Impeller: Plastic (UL94V-0)
Lead Wire: UL1571AWG#28 or Equivalent (+)Red, (-)Black
- ◆ Expected Life..... Ball Bearing 50.000hrs (40°C)
Sleeve Bearing 30.000hrs (40°C)
- ◆ Temperature Range.. Operating temperature -10°C~+70°C (Non-condensing)
Storage temperature -40°C~+70°C (Non-condensing)

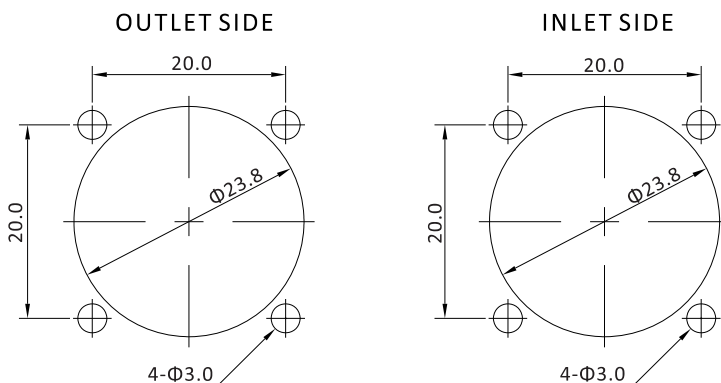
Dimensions (Unit: mm)



PQ Curve (At Rated Voltage)



Mounting Panel Cutout (Unit: mm)



Safety Standards



DC Fans Specials



Specifications

Model	Bearing Type	Rated Voltage	Operating Voltage	Rated Current	Input Power	Speed	Max Air Flow	Max Static Pressure	Noise	Weight		
Part No.	B/S	VDC	VDC	Amp	Watt	RPM	CFM	m³/min	Inch-H2O	PA	dB-A	g
DA02507#05H	B.S	5	3,5~5,5	0,18	0,90	12000	1,97	0,056	0,16	40	30	5
DA02507#05M	B.S	5	3,5~5,5	0,15	0,75	10000	1,57	0,044	0,11	27	24	5
DA02507#05L	B.S	5	3,5~5,5	0,12	0,60	8000	1,15	0,033	0,07	17	21	5
DA02507#05D	B.S	5	3,5~5,5	0,07	0,35	6000	0,69	0,020	0,03	7	20	5
DA02507#12H	B.S	12	7,0~13,8	0,07	0,84	12000	1,97	0,056	0,16	40	30	5
DA02507#12M	B.S	12	7,0~13,8	0,05	0,60	10000	0,16	0,004	0,11	27	24	5
DA02507#12L	B.S	12	7,0~13,8	0,04	0,48	8000	1,15	0,033	0,07	17	21	5