

Φ220x80mm
AC 100-120V & 200-240V

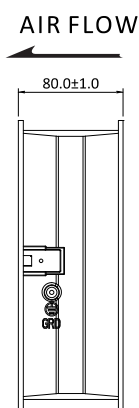
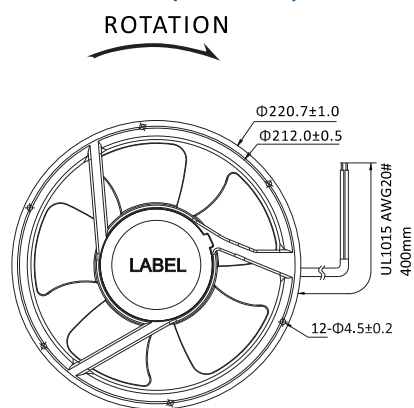
NEW



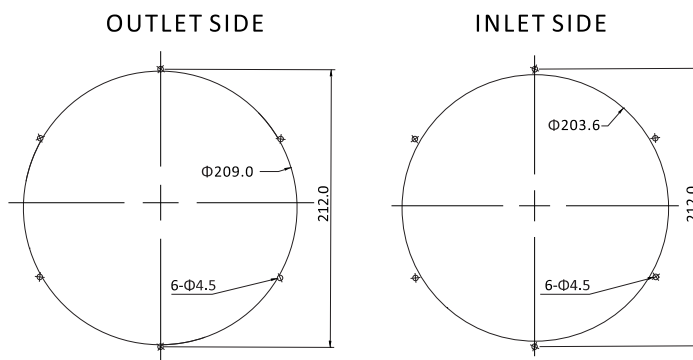
General Specifications

- ◆ Material..... Frame: Aluminum Alloy, Impeller: Plastic (UL94V-0)
Lead Wire: UL1015 20# black Terminal: 2.5mm
- ◆ Motor..... Capacitor-run & External Rotor Motor
- ◆ Input Voltage..... 110V/220V (optional)
- ◆ Dielectric Strength..... 50/60Hz, 1500VAC 1Min (between input terminal and fr
- ◆ Expected Life..... Ball Bearing 50000hrs (40°C)
- ◆ Temperature Range..... Operating temperature -10°C~+70°C (Non-condensing)
Storage temperature -40°C~+70°C (Non-condensing)

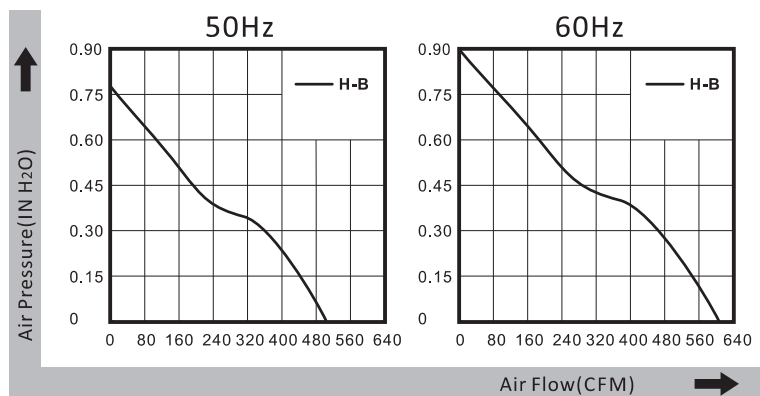
Dimensions (Unit: mm)



Mounting Panel Cutout (Unit: mm)



PQ Curve (At Rated Voltage)



Safety Standards



Specifications

Model	Bearing Type	Rated Voltage	Frequenz	Rated Current	Input Power	Speed	Max Air Flow	Max Static Pressure	Noise	Weight		
Part No.	DB/S	VAC	Hz	Amp	Watt	RPM	CFM	m ³ /min	Inch-H2O	PA	dB-A	g
AW22080B11HL(T)	DB	100~120	50	0,45	48	2500	500	14,150	0,76	189	66	1600
AW22080B11HL(T)	DB	100~120	60	0,56	58	2900	615	17,405	0,90	224	74	1600
AW22080B22HL(T)	DB	200~240	50	0,22	48	2500	500	14,150	0,76	189	66	1600
AW22080B22HL(T)	DB	200~240	60	0,27	58	2900	615	17,405	0,90	224	74	1600

AA22080 AC Fan