

80x80x38mm  
AC 100-120V & 200-240V

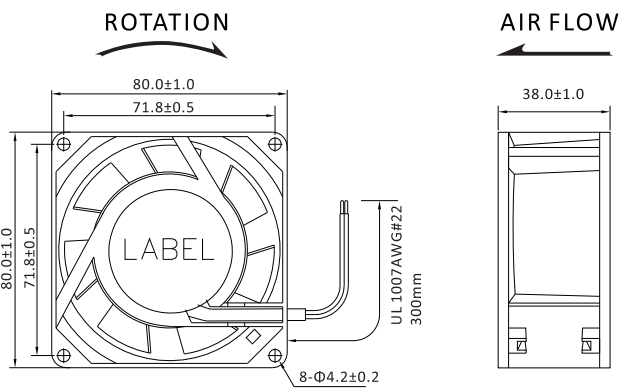


AA08038 AC Fan

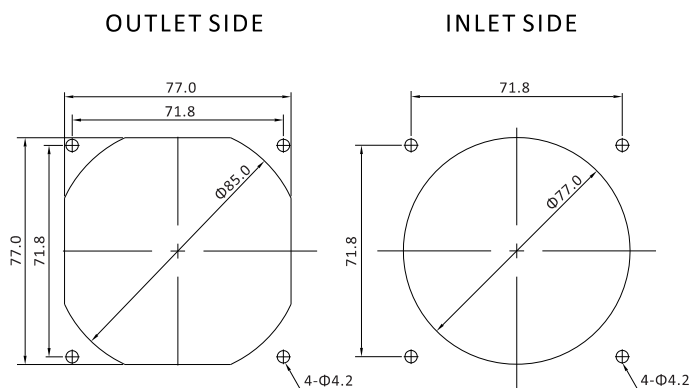
**General Specifications**

- ◆ Material..... Frame: Aluminum Alloy, Impeller: Plastic (UL94V-0)  
Lead Wire: UL1007 22# black Terminal: 2.5mm
- ◆ Motor..... Shaded Pole & Internal Rotor Motor
- ◆ Input Voltage..... 110V/220V (optional)
- ◆ Dielectric Strength..... 50/60Hz, 1500VAC 1Min (between input terminal and frame)
- ◆ Expected Life..... Ball Bearing 50000hrs, Sleeve Bearing 30000hrs (40°C)
- ◆ Temperature Range..... Operating temperature -10°C~+70°C (Non-condensing)  
Storage temperature -40°C~+70°C (Non-condensing)

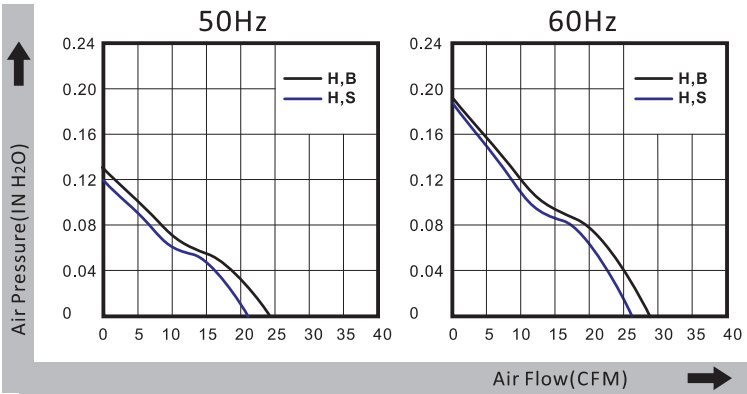
**Dimensions (Unit: mm)**



**Mounting Panel Cutout (Unit: mm)**



**PQ Curve (At Rated Voltage)**



**Safety Standards**



**Specifications**

Model	Bearing Type	Rated Voltage	Frequenz	Rated Current	Input Power	Speed	Max Air Flow	Max Static Pressure	Noise	Weight		
Part No. B/S	B/S	VAC	Hz	Amp	Watt	RPM	CFM	m <sup>3</sup> /min	Inch-H2O	PA	dB-A	g
AA08038S11HL(T)	S	100~120	50	0.15	17	2300	22	0,623	0,12	30	30	230
AA08038S11HL(T)	S	100~120	60	0.13	15	2700	26	0,736	0,18	45	34	230
AA08038S22HL(T)	S	200~240	50	0.07	17	2300	22	0,623	0,12	30	30	230
AA08038S22HL(T)	S	200~240	60	0.06	15	2700	26	0,736	0,18	45	34	230
AA08038B11HL(T)	DB	100~120	50	0.15	17	2400	24	0,679	0,13	32	32	230
AA08038B11HL(T)	DB	100~120	60	0.13	15	2800	28	0,792	0,19	47	36	230
AA08038B22HL(T)	DB	200~240	50	0.07	17	2400	24	0,679	0,13	32	32	230
AA08038B22HL(T)	DB	200~240	60	0.06	15	2800	28	0,792	0,19	47	36	230