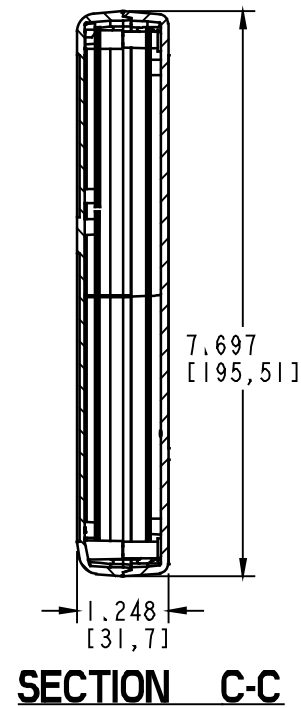
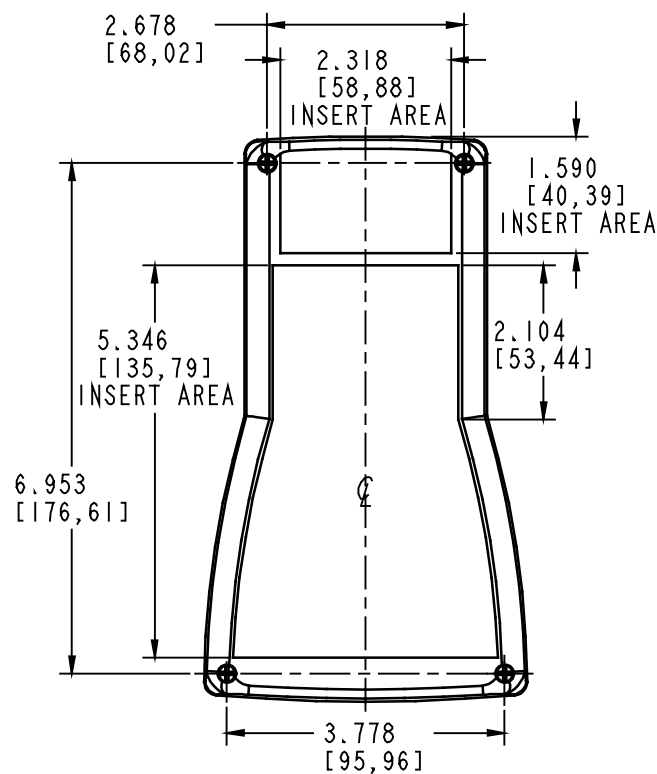
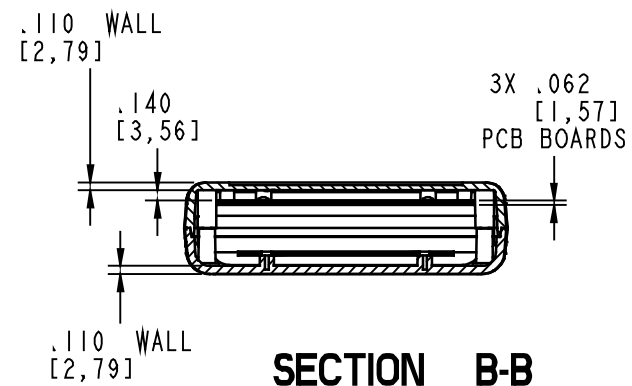


SECTION A-A



SECTION C-C



SECTION B-B

PACITEC®
1-610-361-4200

TR

VISIT **PACITEC®**
ON THE WORLD WIDE WEB
www.pacitecenclosures.com

COLOR / MATERIAL CODE		
COLOR	94HB	94VO
BLACK	000	028
P.C.BONE	039	060

DRAWING NUMBER	REV
83713	A