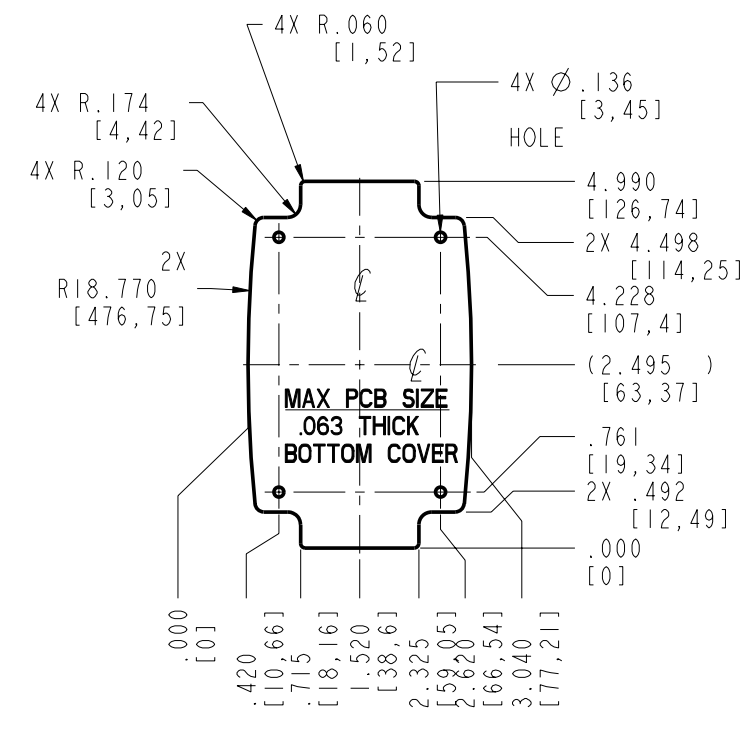
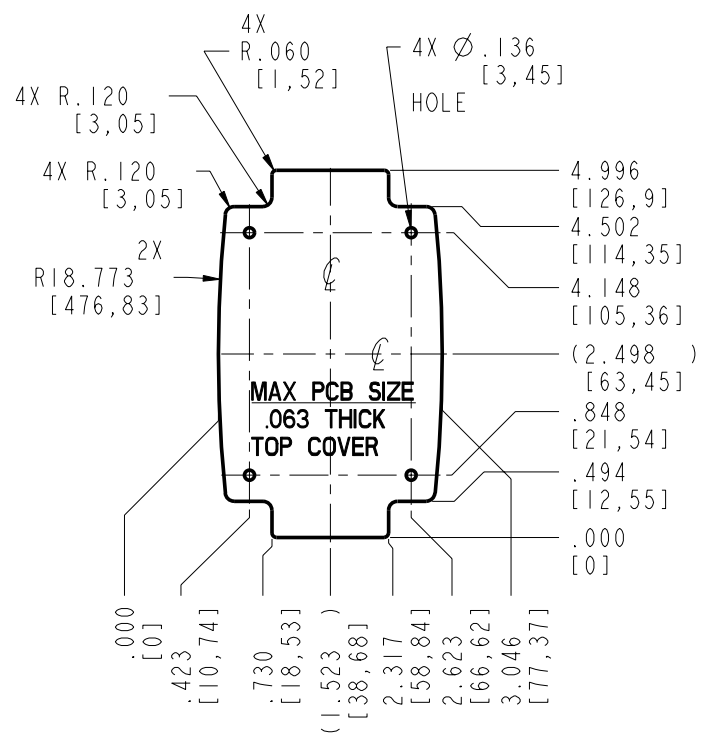
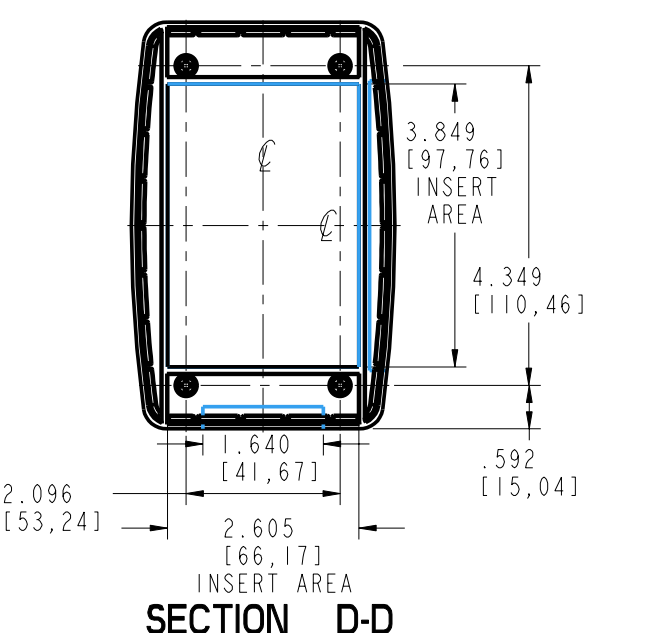


SECTION E-E



- NOTES:
- USE #4 TYPE "B" THREAD FORMING SCREWS X .25 [6.3] OR .31 [7.9] LONG TO MOUNT CIRCUIT CARD ASSEMBLY.
  - TORQUE VALUE FOR ASSEMBLY SCREWS: 5 INCH POUNDS.

**PACNTEC**<sup>®</sup>  
1-610-361-4231  
**ODNF45-2.5**  
**ODNFCT45-2.5**  
VISIT **PACNTEC**<sup>®</sup>  
ON THE WORLD WIDE WEB  
[www.pactecenclosures.com](http://www.pactecenclosures.com)

MATERIAL:  
POLYCARBONATE (HB)  
WITH UV STABILIZER  
COLOR:  
LIGHT GRAY #332

INSERT AREAS ARE SECTIONS IN OUR TOOLS THAT CAN BE REMOVED AND REPLACED WITH CUSTOMER SPECIFIC DETAILS

DRAWING NUMBER	REV
115002	01

SCALE: .8