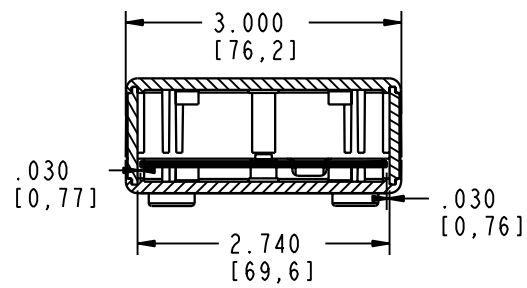
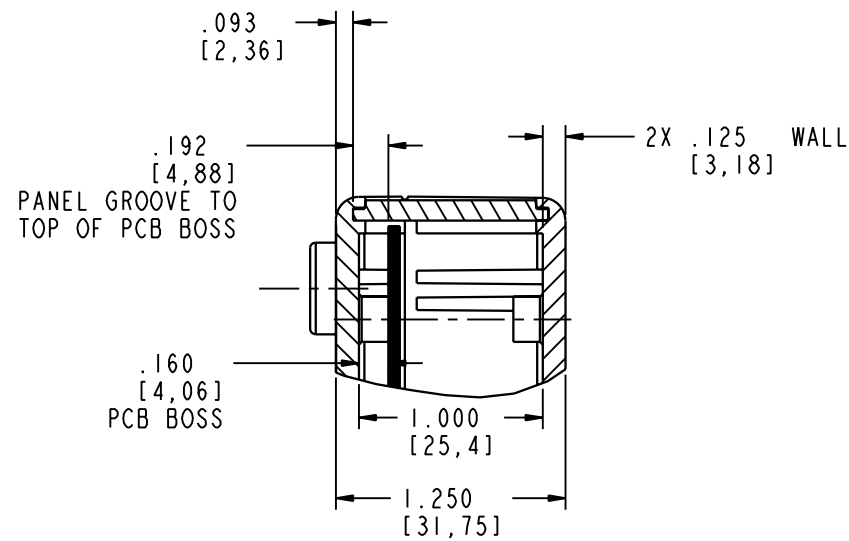
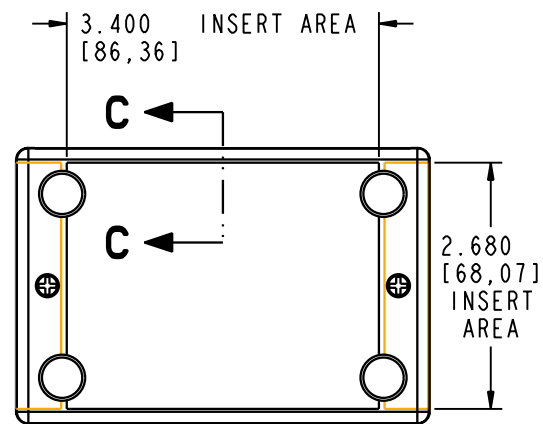
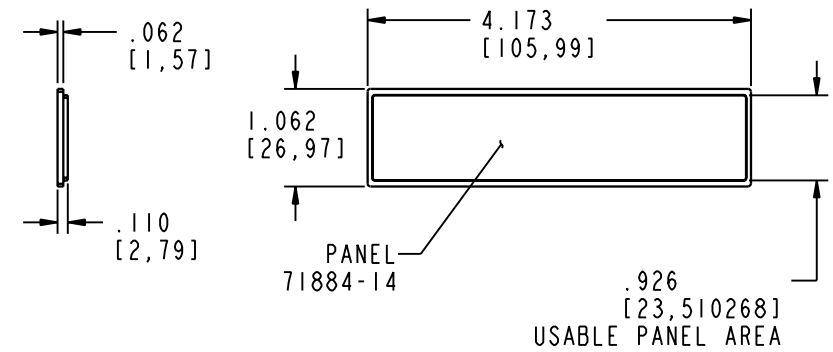


SECTION A-A



SECTION B-B



SECTION C-C
 SCALE 2.000

PACINTEC[®]
 1-610-361-4231

LH43-100

VISIT **PACINTEC**[®]
 ON THE WORLD WIDE WEB
www.pactecenclosures.com

COLOR / MATERIAL CODE		
COLOR	94HB	94VO
BLACK	000	028
P. C. BONE	039	060

DRAWING NUMBER	REV
77240	B