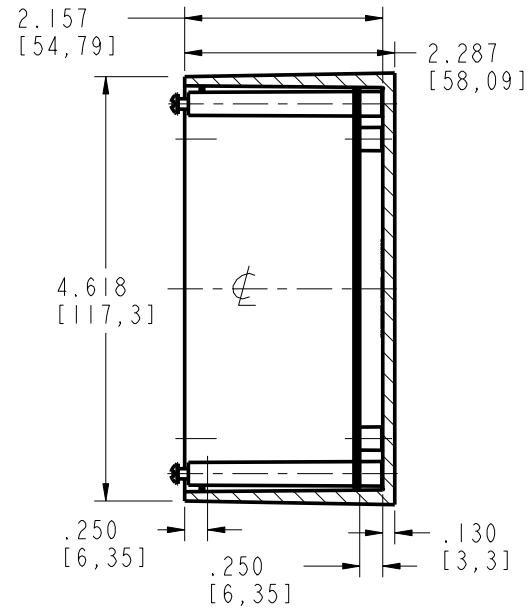
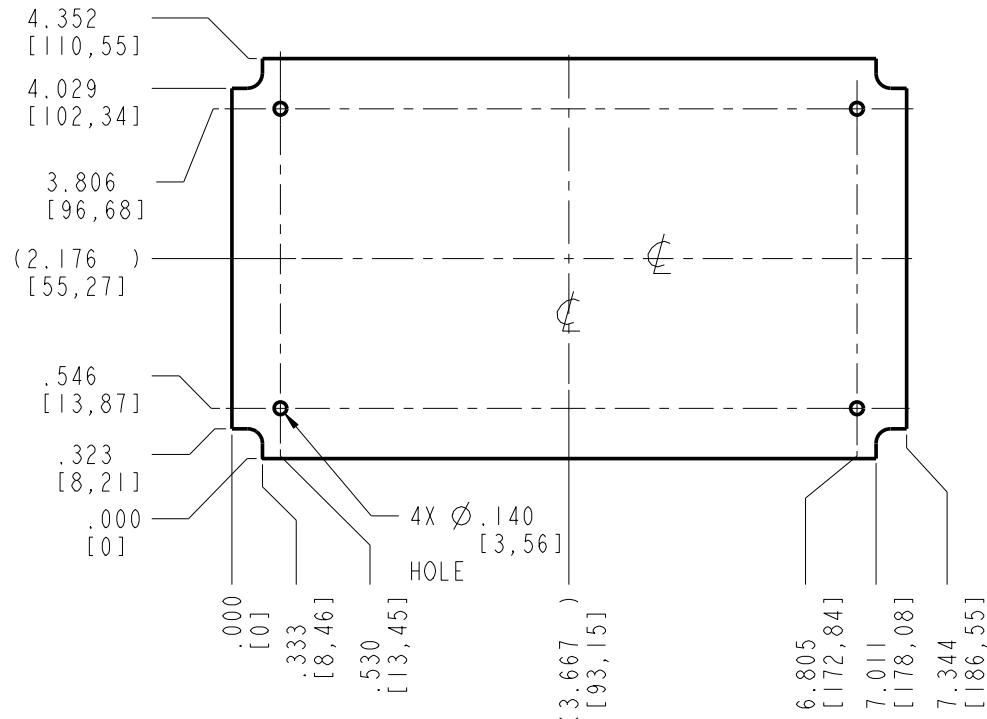
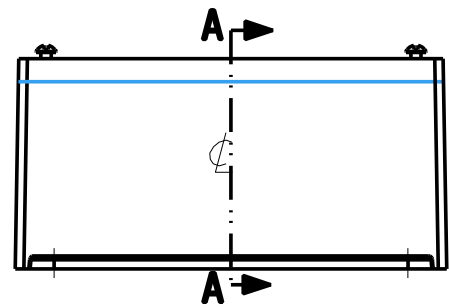
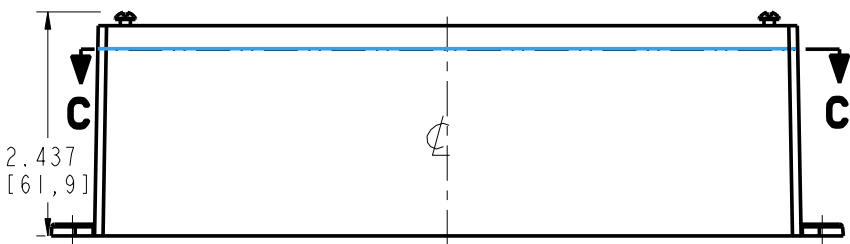
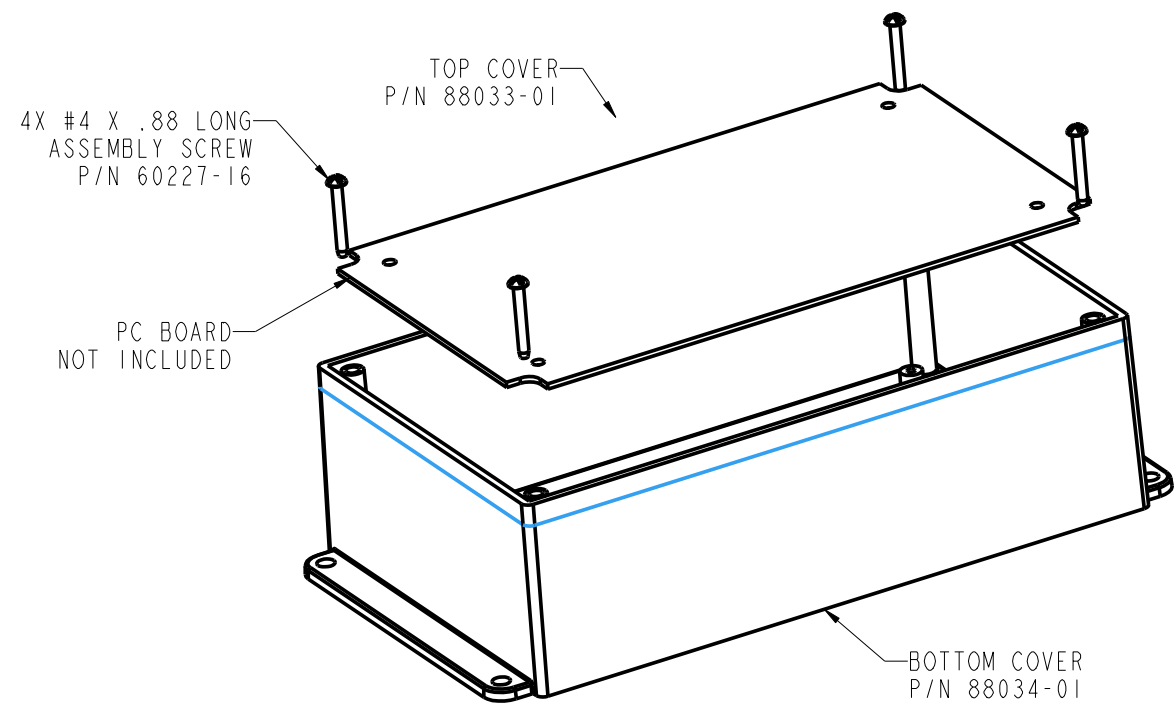


SECTION C-C



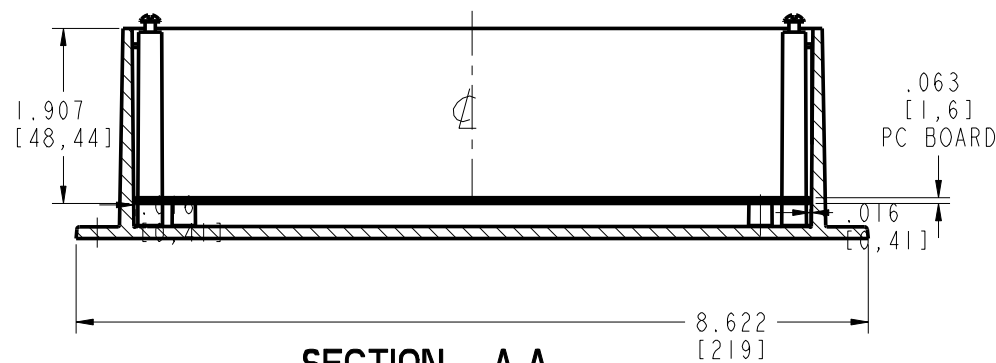
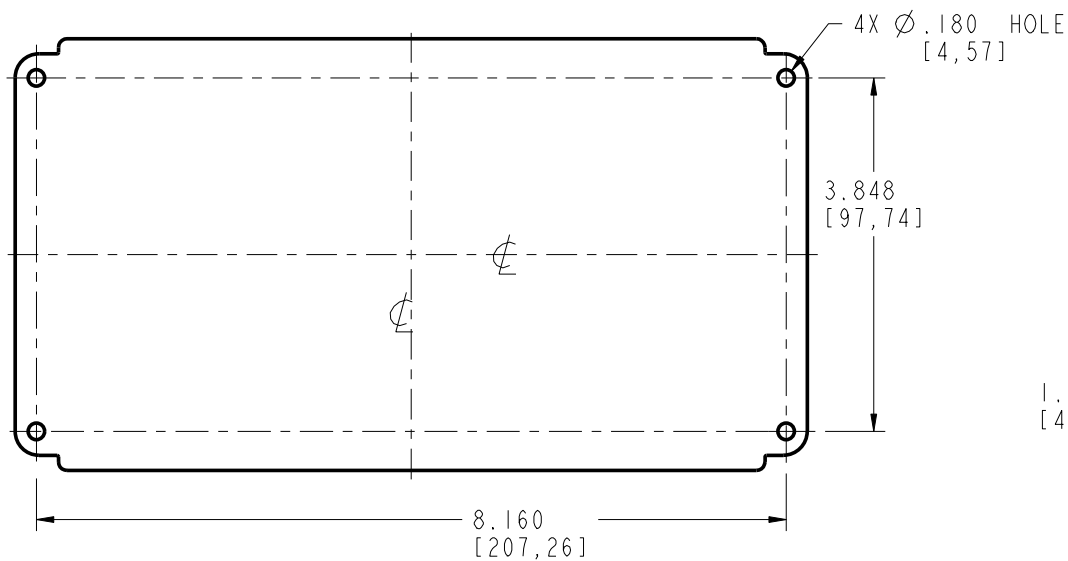
SECTION B-B



PCB LAYOUT
.063 THICK

NOTES:

1. USE #4 TYPE "B" THREAD FORMING SCREWS X .25 [6.35] OR .31 [7.94] TO ATTACH PC BOARD.



SECTION A-A

PACINTEC[®]
1-610-361-4231

FXT-7545

VISIT **PACINTEC**[®]
ON THE WORLD WIDE WEB
www.pactecenclosures.com

COLOR / MATERIAL / CODE		
COLOR	94HB	94V-0
BLACK	000	028
PC BONE	039	060

INSERT AREAS ARE SECTIONS IN OUR TOOLS THAT CAN BE REMOVED AND REPLACED WITH CUSTOMER SPECIFIC DETAILS

DRAWING NUMBER	REV
88035	02

SCALE: 1/1