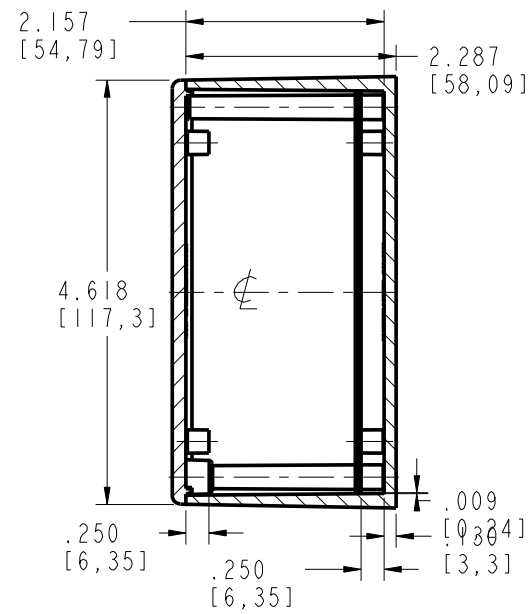
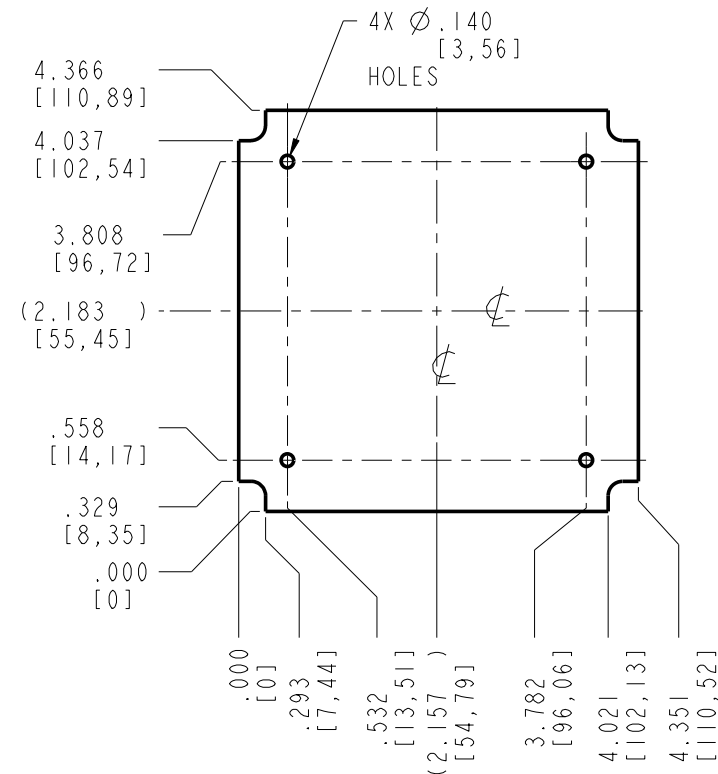
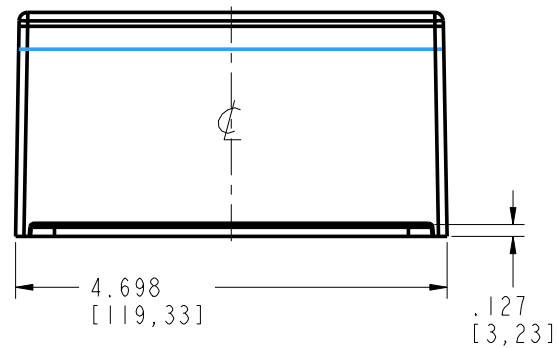
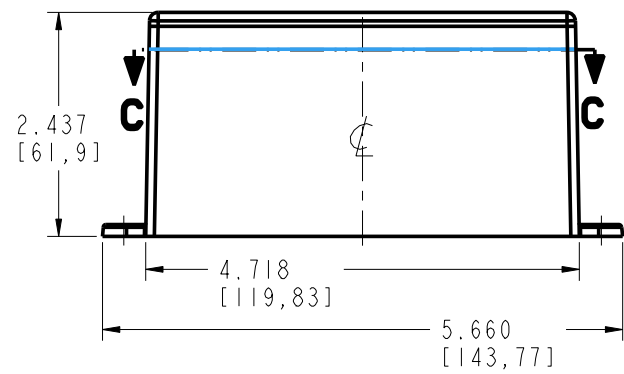
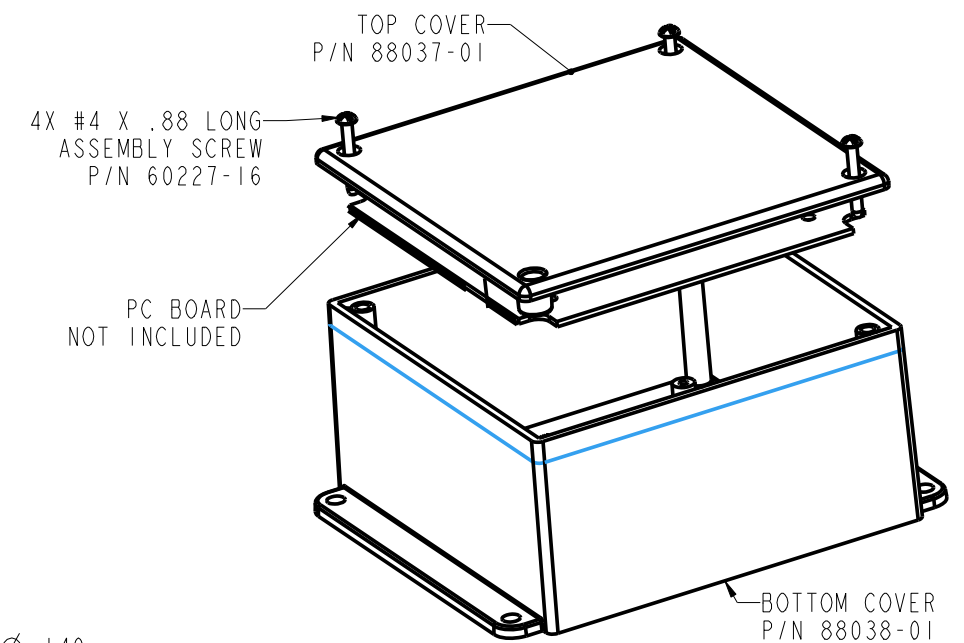


SECTION C-C



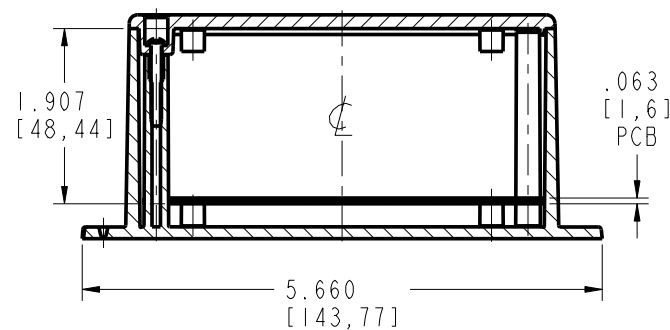
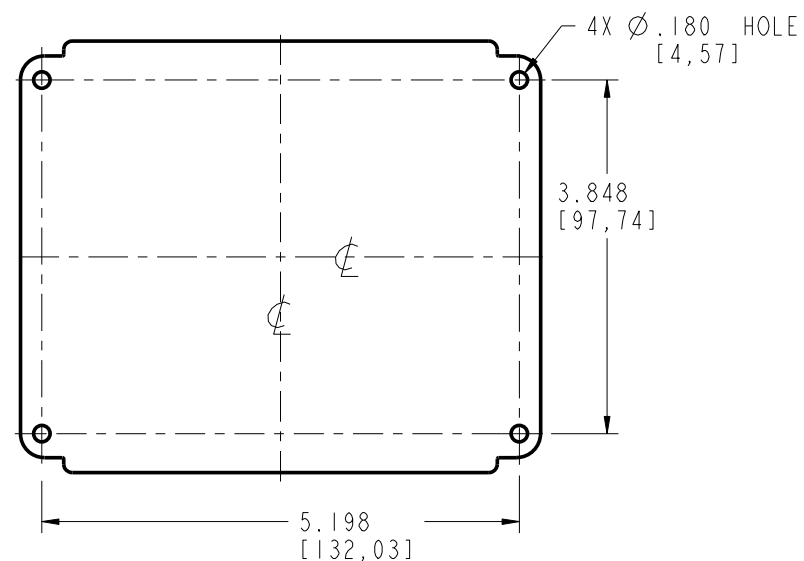
SECTION B-B



PCB LAYOUT  
.063 THICK

NOTES:

- USE #4 TYPE "B" THREAD FORMING SCREWS X .25 [6.35] OR .31 [7.94] TO ATTACH PC BOARD.



SECTION A-A

SCALE: 1/1

**PACNTEC**<sup>®</sup>  
1-610-361-4231

**FXT-4545**

VISIT **PACNTEC**<sup>®</sup>  
ON THE WORLD WIDE WEB  
[www.pactecenclosures.com](http://www.pactecenclosures.com)

COLOR / MATERIAL / CODE		
COLOR	94HB	94V-0
BLACK	000	028
PC BONE	039	060

INSERT AREAS ARE SECTIONS IN OUR TOOLS THAT CAN BE REMOVED AND REPLACED WITH CUSTOMER SPECIFIC DETAILS

DRAWING NUMBER	REV
88039	01