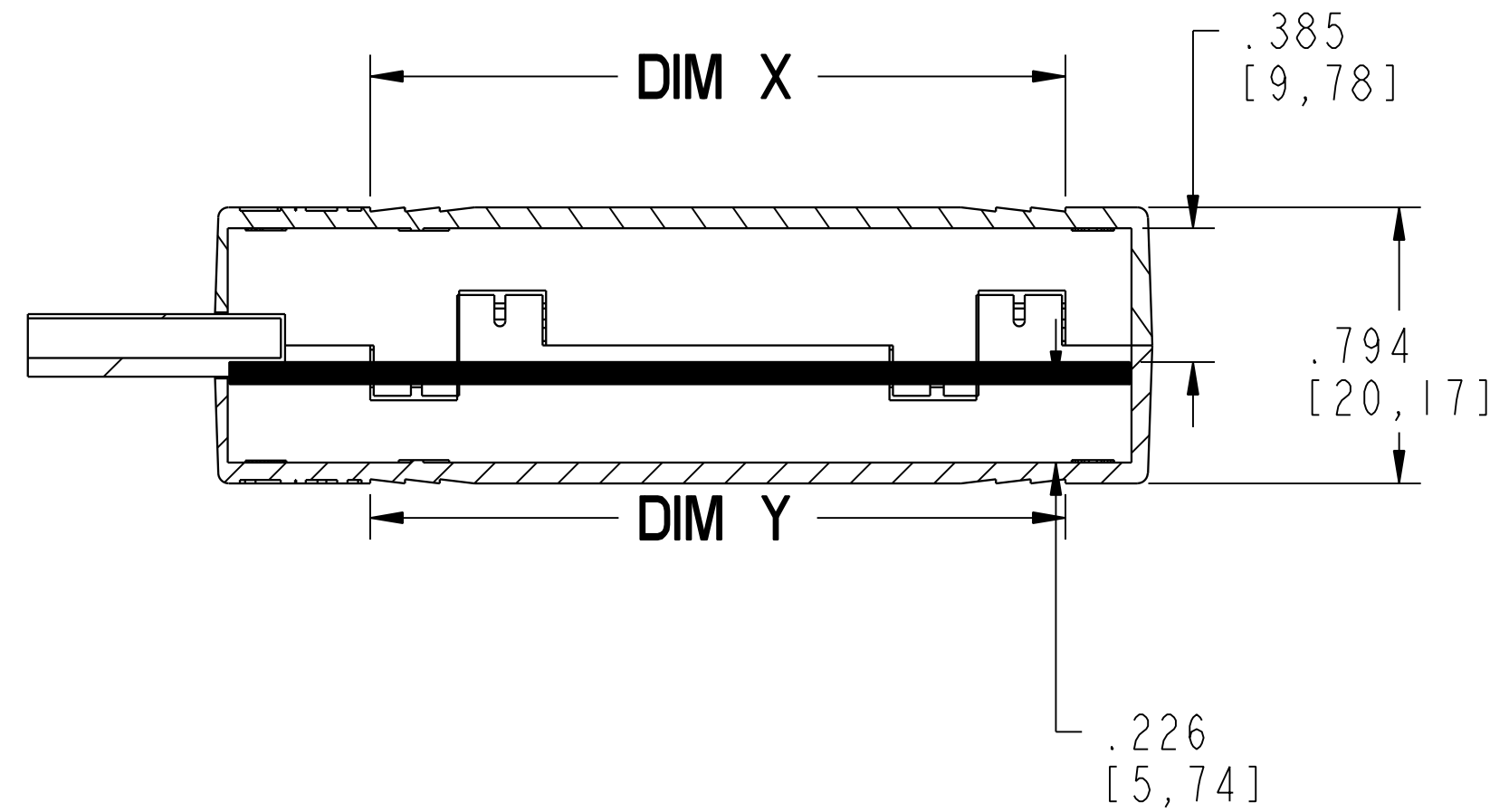


SECTION B-B



SECTION C-C

NOTES:

1. ACTUAL PCB LENGTH IS A PRODUCT OF THE CONNECTOR SELECTED.
2. DIM X AND Y ARE TOP AND BOTTOM COVER INSERT AREA X 1.450 [36,83] WIDE.

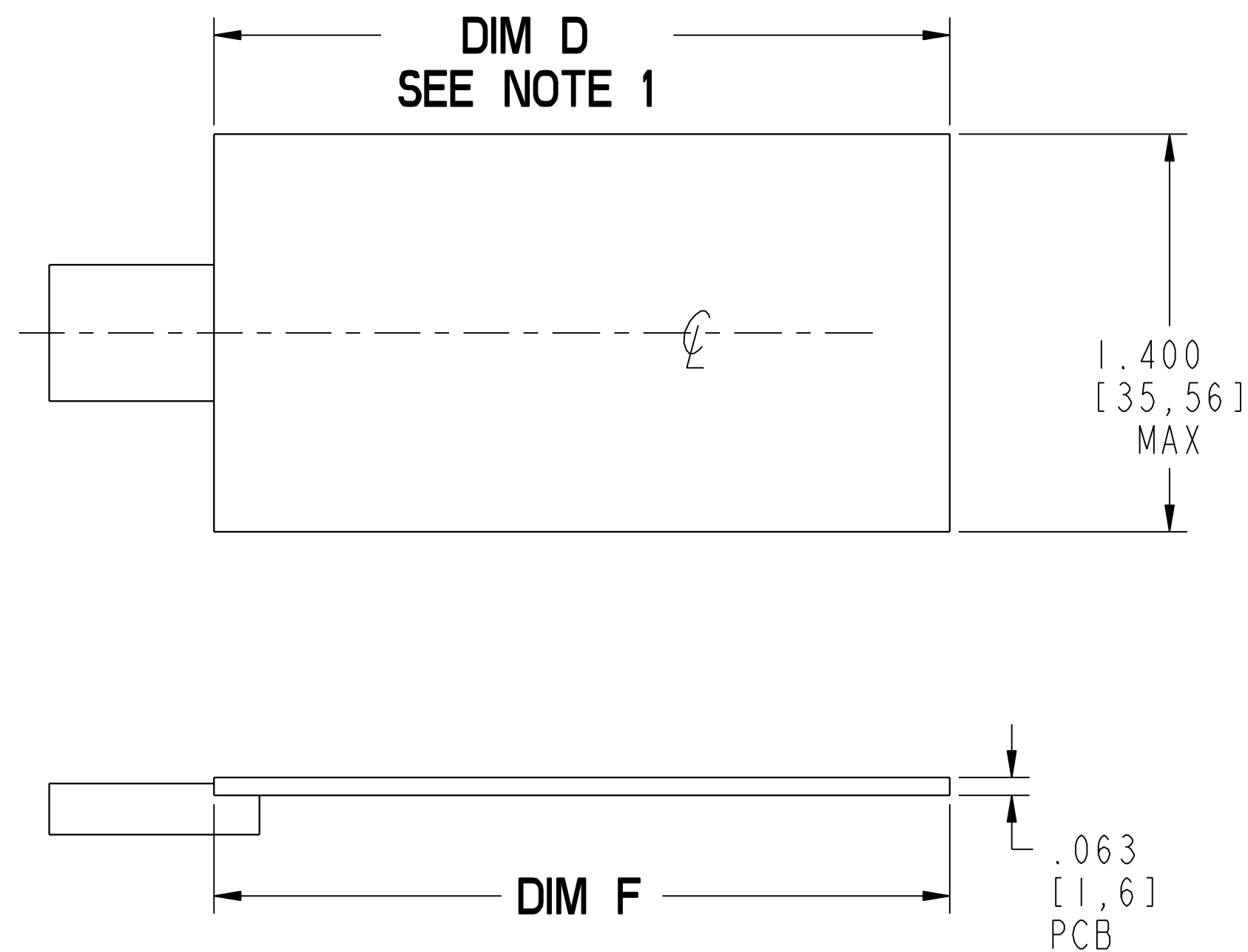


TABLE 1

CN SIZE	S	M	L
HOUSING PART NUMBER	CNS-0029	CNM-0029	CNL-0029
DIM D PCB SIZE	SEE NOTE 1		
DIM E OVERALL SIZE	2.200 [58,88]	2.700 [68,58]	3.200 [81,28]
DIM F MAX CRITICAL DIM	2.090 [53,08]	2.590 [65,79]	3.090 [78,48]
DIM X & Y INSERT AREA	1.500 [38,10]	2.000 [50,80]	2.500 [63,50]

DB9 STRAIGHT CONNECTOR TO BLANK END

PACNTEC[®]
1-610-361-4231

CN -0029 SERIES
SEE TABLE 1

VISIT **PACNTEC**[®]
ON THE WORLD WIDE WEB
www.pactecenclosures.com

COLOR / MATERIAL / CODE		
COLOR	94HB	94V-0
BLACK	000	028
PC BONE	039	060

INSERT AREAS ARE SECTIONS IN OUR TOOLS THAT CAN BE REMOVED AND REPLACED WITH CUSTOMER SPECIFIC DETAILS

DRAWING NUMBER	REV
115428	A