

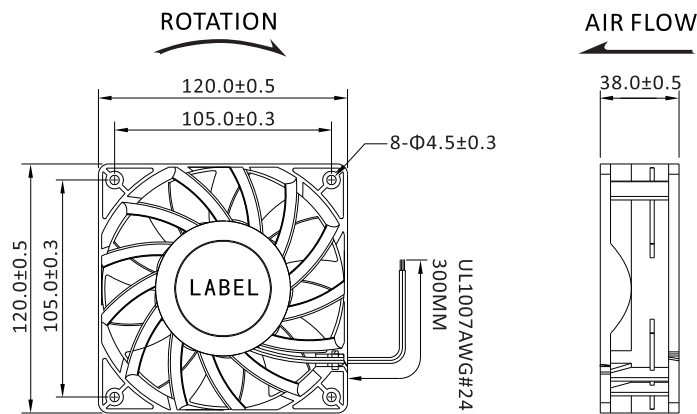
120x120x38mm
DC Speed 12V, 24V, 48V



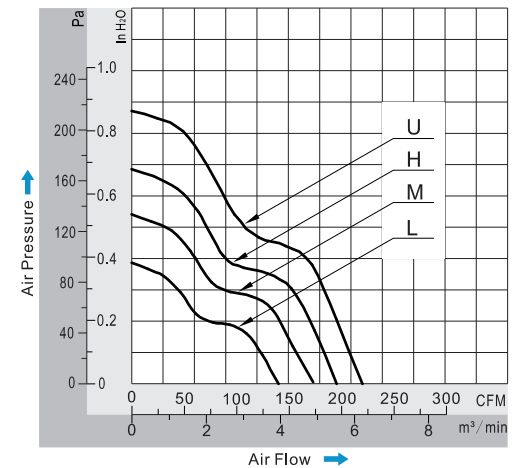
General Specifications

- Material..... Frame: Plastic (UL94V-0)
Impeller: Plastic (UL94V-0)
Lead Wire: UL1007AWG#24 or Equivalent (+)Red, (-)Black
- Expected Life..... Ball Bearing 50.000hrs (40°C)
- Temperature Range.. Operating temperature -10°C~+70°C (Non-condensing)
Storage temperature -40°C~+70°C (Non-condensing)

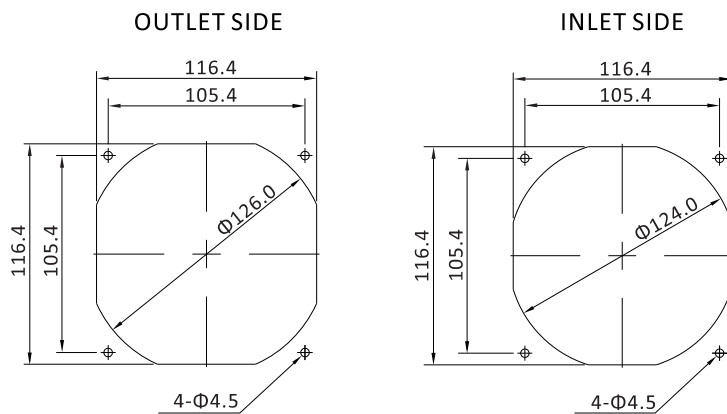
Dimensions (Unit: mm)



PQ Curve (At Rated Voltage)



Mounting Panel Cutout (Unit: mm)



Safety Standards



DC Fans Specials



Specifications

Model	Bearing Type	Rated Voltage	Operating Voltage	Rated Current	Input Power	Speed	Max Air Flow		Max Static Pressure		Noise	Weight
Part No.	B/S	VDC	VDC	Amp	Watt	RPM	CFM	m³/min	Inch-H2O	PA	dB-A	g
DZ12038#12H	B	12	7,0~13,8	2,50	30,00	4000	193,50	5,476	0,67	167	60,0	289,0
DZ12038#12M	B	12	7,0~13,8	1,60	19,20	3500	173,33	4,905	0,54	135	55,0	289,0
DZ12038#12L	B	12	7,0~13,8	1,00	12,00	3000	145,98	4,131	0,39	97	50,0	289,0
DZ12038#24U	B	24	14,0~27,6	2,00	48,00	4500	222,31	6,291	0,86	214	64,0	289,0
DZ12038#24H	B	24	14,0~27,6	1,00	24,00	4000	193,50	5,476	0,67	167	60,0	289,0
DZ12038#24M	B	24	14,0~27,6	0,70	16,80	3500	173,33	4,905	0,54	135	55,0	289,0
DZ12038#24L	B	24	14,0~27,6	0,50	12,00	3000	145,98	4,131	0,39	97	50,0	289,0
DZ12038#48U	B	48	28,0~56,0	1,00	48,00	4500	222,31	6,291	0,86	214	64,0	289,0
DZ12038#48H	B	48	28,0~56,0	0,60	28,80	4000	193,50	5,476	0,67	167	60,0	289,0
DZ12038#48M	B	48	28,0~56,0	0,50	24,00	3500	173,33	4,905	0,54	135	55,0	289,0
DZ12038#48L	B	48	28,0~56,0	0,40	19,20	3000	145,98	4,131	0,39	97	50,0	289,0