

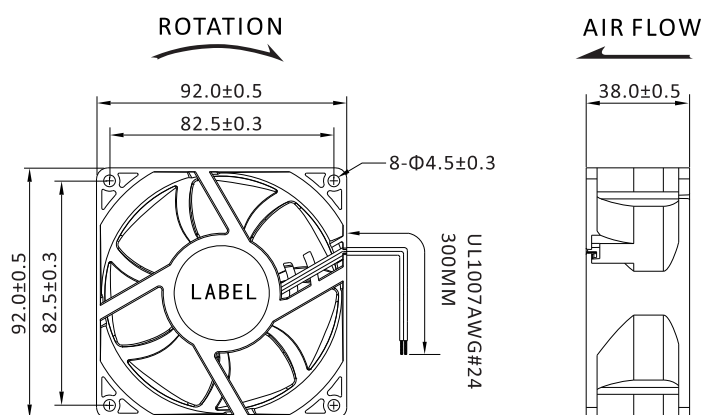
92x92x38mm
DC 12V, 24V, 48V



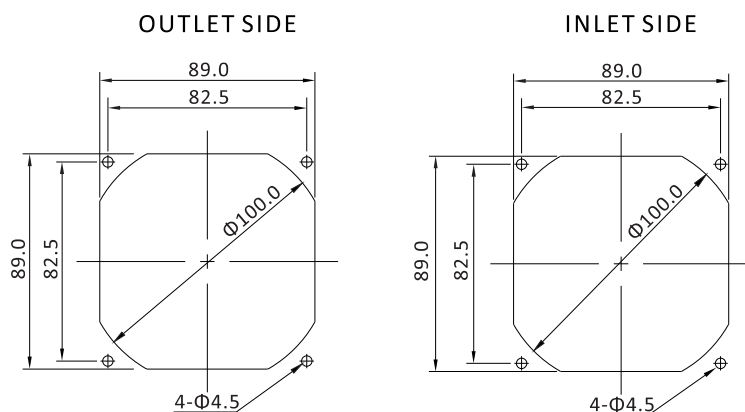
General Specifications

- ◆ Material..... Frame: Plastic (UL94V-0)
Impeller: Plastic (UL94V-0)
Lead Wire: UL1007AWG#24 or Equivalent (+)Red, (-)Black
- ◆ Expected Life..... Ball Bearing 50.000hrs (40°C)
- ◆ Temperature Range.. Operating temperature -10°C~+70°C (Non-condensing)
Storage temperature -40°C~+70°C (Non-condensing)

Dimensions (Unit: mm)



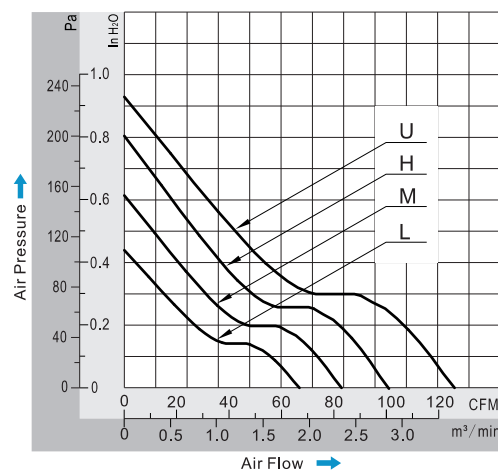
Mounting Panel Cutout (Unit: mm)



Specifications

Model	Bearing Type	Rated Voltage	Operating Voltage	Rated Current	Input Power	Speed	Max Air Flow	Max Static Pressure	Noise	Weight		
Part No.	B/S	VDC	VDC	Amp	Watt	RPM	CFM	m³/min	Inch-H2O	PA	dB-A	g
DA09232#12U	B	12	7,0~13,8	2,00	24,00	6000	125,10	3,540	0,93	232	63	245
DA09232#12H	B	12	7,0~13,8	1,60	19,20	5000	101,92	2,884	0,82	204	55	245
DA09232#12M	B	12	7,0~13,8	1,30	15,60	4000	83,31	2,358	0,61	152	52	245
DA09232#12L	B	12	7,0~13,8	1,10	13,20	3000	67,23	1,903	0,44	110	49	245
DA09232#24U	B	24	14,0~27,6	1,00	24,00	6000	125,10	3,540	0,93	232	63	245
DA09232#24H	B	24	14,0~27,6	0,80	19,20	5000	101,92	2,884	0,82	204	55	245
DA09232#24M	B	24	14,0~27,6	0,60	14,40	4000	83,31	2,358	0,61	152	52	245
DA09232#24L	B	24	14,0~27,6	0,50	12,00	3000	67,23	1,903	0,44	110	49	245
DA09232#48U	B	48	28,0~56,0	0,50	24,00	6000	125,10	3,540	0,93	232	63	245
DA09232#48H	B	48	28,0~56,0	0,40	19,20	5000	101,92	2,884	0,82	204	55	245
DA09232#48M	B	48	28,0~56,0	0,30	14,40	4000	83,31	2,358	0,61	152	52	245
DA09232#48L	B	48	28,0~56,0	0,25	12,00	3000	67,23	1,903	0,44	110	49	245

PQ Curve (At Rated Voltage)



Safety Standards



DC Fans Specials



DA09238 DC Fan