

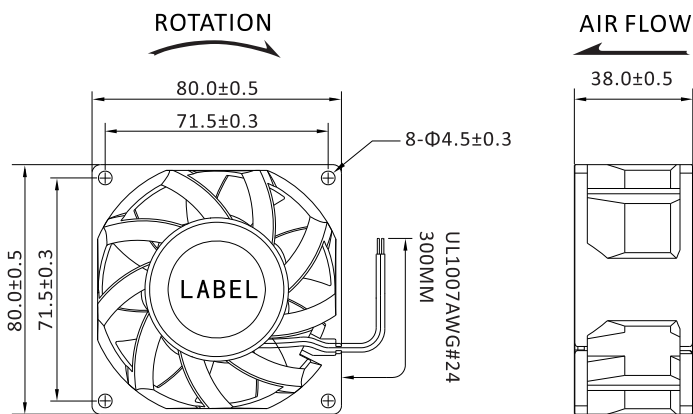
80x80x38mm  
DC Speed 12V, 24V, 48V



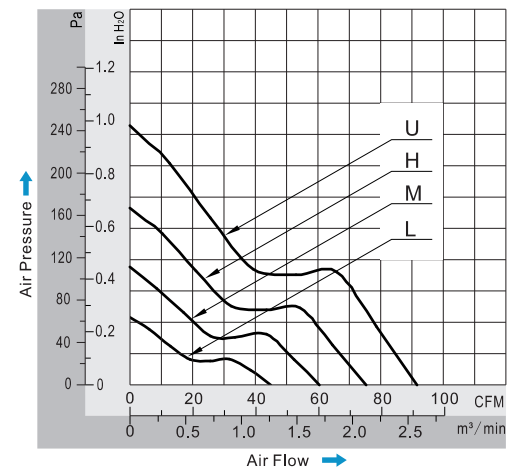
General Specifications

- Material..... Frame: Plastic (UL94V-0)  
Impeller: Plastic (UL94V-0)  
Lead Wire: UL1007AWG#24 or Equivalent (+)Red, (-)Black
- Expected Life..... Ball Bearing 50.000hrs (40°C)
- Temperature Range.. Operating temperature -10°C~+70°C (Non-condensing)  
Storage temperature -40°C~+70°C (Non-condensing)

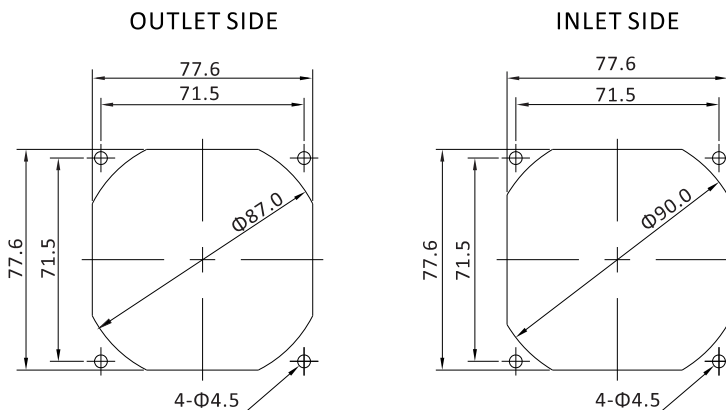
Dimensions (Unit: mm)



PQ Curve (At Rated Voltage)



Mounting Panel Cutout (Unit: mm)



Safety Standards



DC Fans Specials



Specifications

Model	Bearing Type	Rated Voltage	Operating Voltage	Rated Current	Input Power	Speed	Max Air Flow	Max Static Pressure	Noise	Weight		
Part No.	B/S	VDC	VDC	Amp	Watt	RPM	CFM	m³/min	Inch-H2O	PA	dB-A	g
DZ08038#12U	B	12	7,0~13,8	1,50	18,00	6500	90,60	2,564	0,99	247	59.0	153.0
DZ08038#12H	B	12	7,0~13,8	0,90	10,80	5500	74,46	2,107	0,68	169	53.0	153.0
DZ08038#12M	B	12	7,0~13,8	0,60	7,20	4500	60,08	1,700	0,46	115	47.0	153.0
DZ08038#12L	B	12	7,0~13,8	0,40	4,80	3500	45,11	1,277	0,26	65	43.0	153.0
DZ08038#24U	B	24	14,0~27,6	0,80	19,20	6500	90,60	2,564	0,99	247	59.0	153.0
DZ08038#24H	B	24	14,0~27,6	0,50	12,00	5500	74,46	2,107	0,68	169	53.0	153.0
DZ08038#24M	B	24	14,0~27,6	0,30	7,20	4500	60,08	1,700	0,46	115	47.0	153.0
DZ08038#24L	B	24	14,0~27,6	0,20	4,80	3500	45,11	1,277	0,26	65	43.0	153.0
DZ08038#48U	B	48	28,0~56,0	0,50	24,00	6500	90,60	2,564	0,99	247	59.0	153.0
DZ08038#48H	B	48	28,0~56,0	0,30	14,40	5500	74,46	2,107	0,68	169	53.0	153.0
DZ08038#48M	B	48	28,0~56,0	0,20	9,60	4500	60,08	1,700	0,46	115	47.0	153.0
DZ08038#48L	B	48	28,0~56,0	0,10	4,80	3500	45,11	1,277	0,26	65	43.0	153.0

DA08038Z DC Fan