

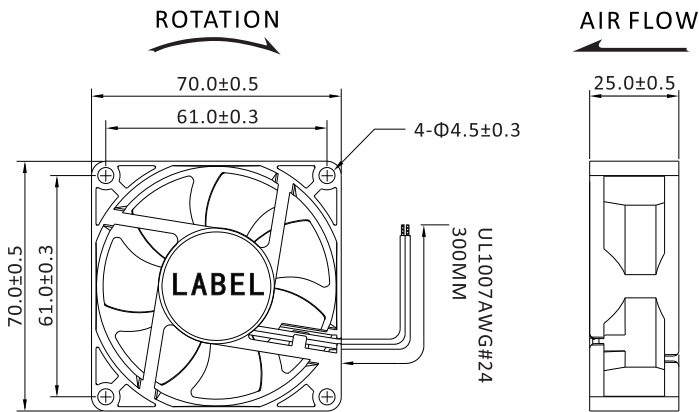
70x70x25mm  
DC 12V, 24V, 48V



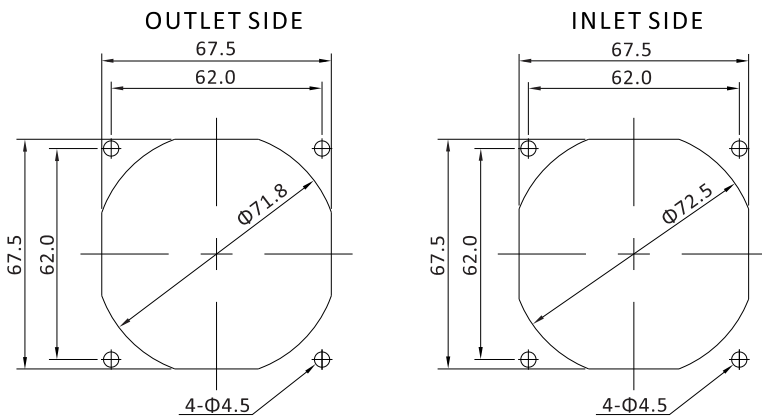
**General Specifications**

- ◆ Material..... Frame: Plastic (UL94V-0)  
Impeller: Plastic (UL94V-0)  
Lead Wire: UL1007AWG#24 or Equivalent (+)Red, (-)Black
- ◆ Expected Life..... Ball Bearing 50.000hrs (40°C)  
Sleeve Bearing 30.000hrs (40°C)
- ◆ Temperature Range.. Operating temperature -10°C~+70°C (Non-condensing)  
Storage temperature -40°C~+70°C (Non-condensing)

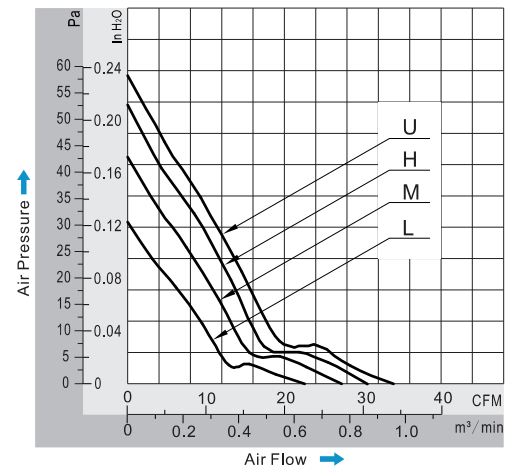
**Dimensions (Unit: mm)**



**Mounting Panel Cutout (Unit: mm)**



**PQ Curve (At Rated Voltage)**



DA07025 DC Fan

**Safety Standards**



**DC Fans Specials**



**Specifications**

Model	Bearing Type	Rated Voltage	Operating Voltage	Rated Current	Input Power	Speed	Max Air Flow	Max Static Pressure	Noise	Weight		
Part No.	B/S	VDC	VDC	Amp	Watt	RPM	CFM	m³/min	Inch-H2O	PA	dB-A	g
DA07025#12U	B.S	12	7,0~13,8	0,30	3,60	4500	33,57	0,950	0,24	60	42	52
DA07025#05H	B.S	12	7,0~13,8	0,25	3,00	4000	31,01	0,878	0,21	52	37	52
DA07025#12M	B.S	12	7,0~13,8	0,20	2,40	3500	27,93	0,790	0,17	42	32	52
DA07025#05L	B.S	12	7,0~13,8	0,15	1,80	3000	23,02	0,651	0,13	32	28	52
DA07025#24U	B.S	24	14,0~27,6	0,20	4,80	4500	33,57	0,950	0,24	60	42	52
DA07025#24H	B.S	24	14,0~27,6	0,16	3,84	4000	31,01	0,878	0,21	52	37	52
DA07025#24M	B.S	24	14,0~27,6	0,12	2,88	3500	27,93	0,790	0,17	42	32	52
DA07025#24L	B.S	24	14,0~27,6	0,08	1,92	3000	23,02	0,651	0,13	32	28	52
DA07025#48U	B.S	48	28,0~56,0	0,07	3,36	4500	33,57	0,950	0,24	60	42	52
DA07025#48H	B.S	48	28,0~56,0	0,05	2,40	4000	31,01	0,878	0,21	52	37	52
DA07025#48M	B.S	48	28,0~56,0	0,04	1,92	3500	27,93	0,790	0,17	42	32	52
DA07025#48L	B.S	48	28,0~56,0	0,03	1,44	3000	23,02	0,651	0,13	32	28	52