

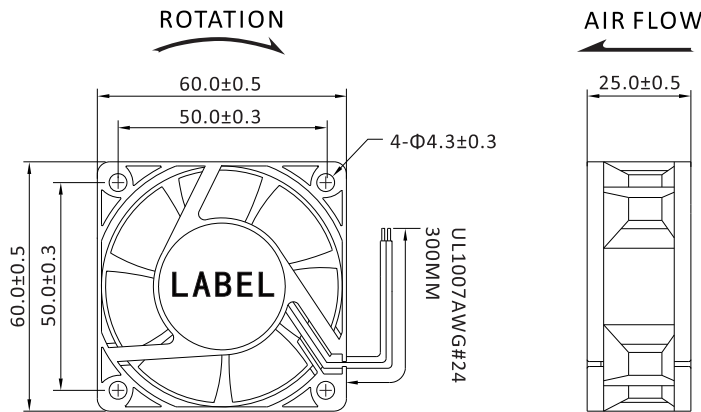
60x60x25mm
DC 12V, 24V, 48V



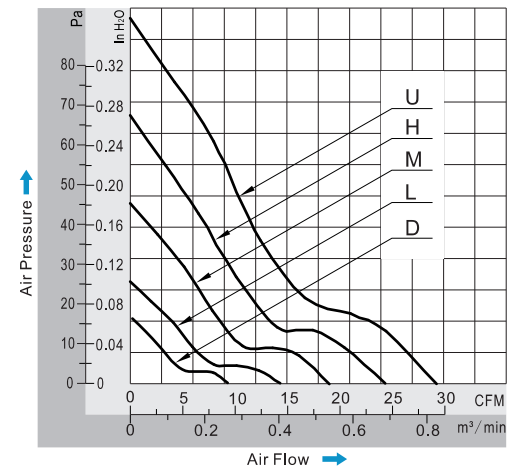
General Specifications

- Material..... Frame: Plastic (UL94V-0)
Impeller: Plastic (UL94V-0)
Lead Wire: UL1007AWG#24 or Equivalent (+)Red, (-)Black
- Expected Life..... Ball Bearing 50.000hrs (40°C)
Sleeve Bearing 30.000hrs (40°C)
- Temperature Range.. Operating temperature -10°C~+70°C (Non-condensing)
Storage temperature -40°C~+70°C (Non-condensing)

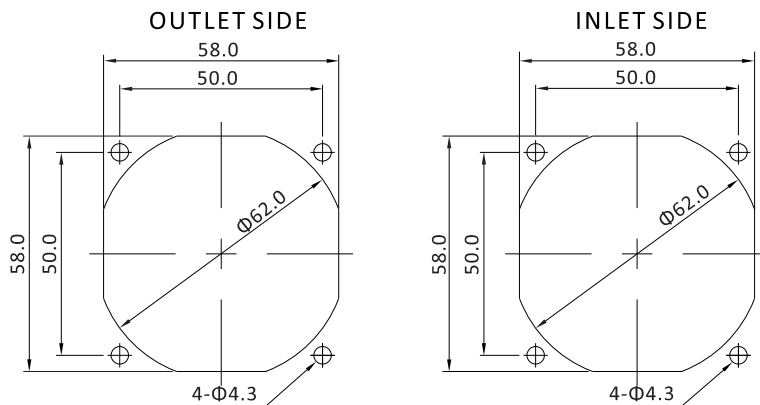
Dimensions (Unit: mm)



PQ Curve (At Rated Voltage)



Mounting Panel Cutout (Unit: mm)



Safety Standards



DC Fans Specials



Specifications

Model	Bearing Type	Rated Voltage	Operating Voltage	Rated Current	Input Power	Speed	Max Air Flow	Max Static Pressure	Noise	Weight		
Part No.	B/S	VDC	VDC	Amp	Watt	RPM	CFM	m³/min	Inch-H2O	PA	dB-A	g
DA06025#12U	B.S	12	7,0~13,8	0,45	5,40	6000	29,43	0,833	0,37	92	45	56
DA06025#12H	B.S	12	7,0~13,8	0,25	3,00	5000	24,77	0,701	0,27	67	38	56
DA06025#12M	B.S	12	7,0~13,8	0,18	2,16	4000	19,15	0,542	0,17	42	32	56
DA06025#12L	B.S	12	7,0~13,8	0,10	1,20	3000	14,77	0,418	0,11	27	27	56
DA06025#12D	B.S	12	7,0~13,8	0,06	0,72	2000	9,20	0,260	0,04	10	23	56
DA06025#24U	B.S	24	14,0~27,6	0,25	6,00	6000	29,43	0,833	0,37	92	45	56
DA06025#24H	B.S	24	14,0~27,6	0,18	4,32	5000	24,77	0,701	0,27	67	38	56
DA06025#24M	B.S	24	14,0~27,6	0,15	3,60	4000	19,15	0,542	0,17	42	32	56
DA06025#24L	B.S	24	14,0~27,6	0,10	2,40	3000	14,77	0,418	0,11	27	27	56
DA06025#48U	B.S	48	28,0~56,0	0,18	8,64	6000	29,43	0,833	0,37	92	45	56
DA06025#48H	B.S	48	28,0~56,0	0,12	5,76	5000	24,77	0,701	0,27	67	38	56
DA06025#48M	B.S	48	28,0~56,0	0,08	3,84	4000	19,15	0,542	0,17	42	32	56
DA06025#48L	B.S	48	28,0~56,0	0,06	2,88	3000	14,77	0,418	0,11	27	27	56

DA06025 DC Fan