

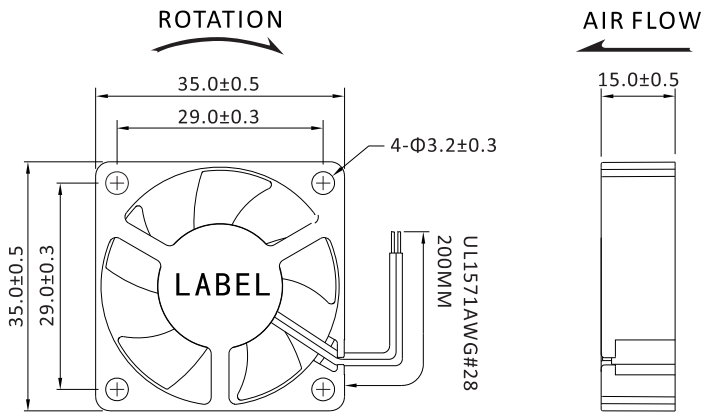
35x35x10mm
DC 5V, 12V

General Specifications

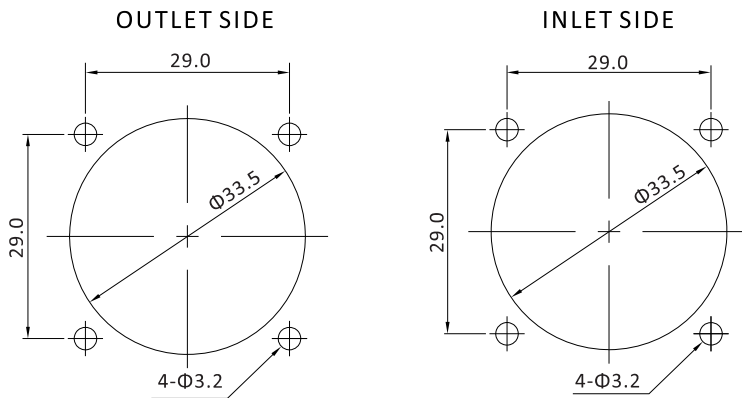
- ◆ Material..... Frame: Plastic (UL94V-0)
Impeller: Plastic (UL94V-0)
Lead Wire: UL1571AWG#28 or Equivalent (+)Red, (-)Black
- ◆ Expected Life..... Ball Bearing 50.000hrs (40°C)
Sleeve Bearing 30.000hrs (40°C)
- ◆ Temperature Range.. Operating temperature -10°C~+70°C (Non-condensing)
Storage temperature -40°C~+70°C (Non-condensing)



Dimensions (Unit: mm)



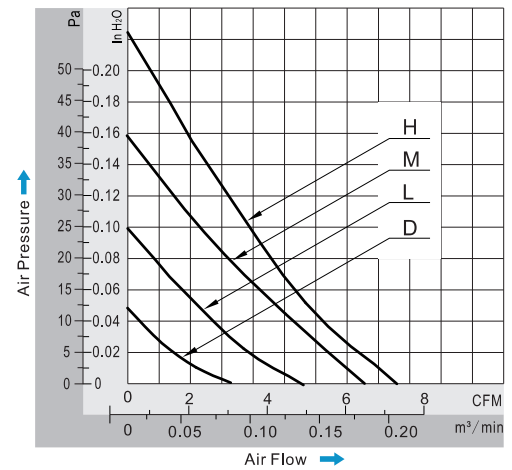
Mounting Panel Cutout (Unit: mm)



Specifications

Model	Bearing Type	Rated Voltage	Operating Voltage	Rated Current	Input Power	Speed	Max Air Flow	Max Static Pressure	Noise	Weight		
Part No.	B/S	VDC	VDC	Amp	Watt	RPM	CFM	m ³ /min	Inch-H2O	PA	dB-A	g
DA03510#05M	B.S	5	3,5~5,5	0,25	1,25	8000	6,51	0,184	0,16	40	29	10
DA03510#05L	B.S	5	3,5~5,5	0,18	0,90	6000	4,88	0,138	0,10	25	26	10
DA03510#05D	B.S	5	3,5~5,5	0,12	0,60	4000	3,15	0,089	0,04	10	22	10
DA03510#12H	B.S	12	7,0~13,8	0,18	2,16	10000	7,48	0,212	0,22	55	32	10
DA03510#12M	B.S	12	7,0~13,8	0,14	1,68	8000	6,51	0,184	0,16	40	29	10
DA03510#12L	B.S	12	7,0~13,8	0,10	1,20	6000	4,88	0,138	0,10	25	26	10

PQ Curve (At Rated Voltage)



Safety Standards



DC Fans Specials



DA03510 DC Fan