

3007

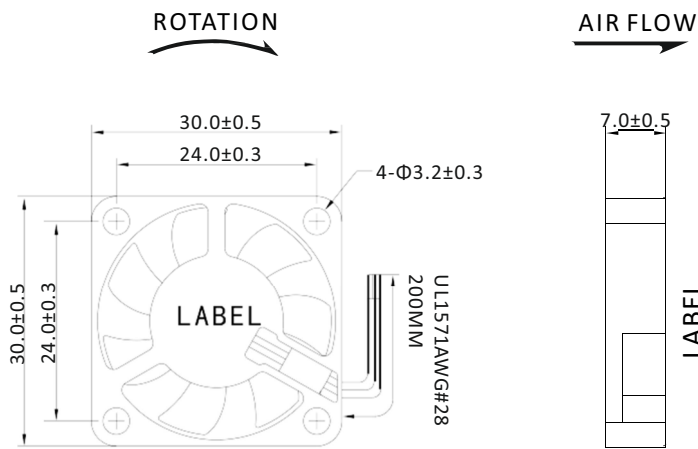
30x30x7MM

General Specifications

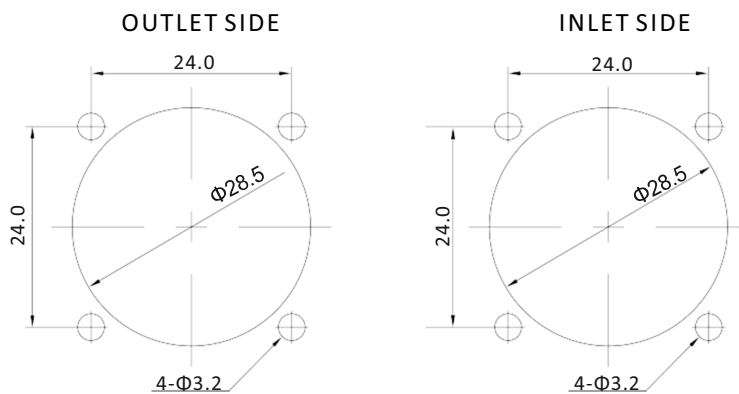
- Material..... Frame: Plastic(UL94V-0)
Impeller: Plastic(UL94V-0)
Lead Wire: UL1571AWG#28 or Equivalent (+)Red, (-)Blue
- Expected Life..... Sleeve Bearing 30,000hrs(40°C)
- Temperature Range.. Operating temperature -10°C~+70°C(Non-condensing)
Storage temperature -40°C~+70°C(Non-condensing)



Dimensions(Unit:mm)



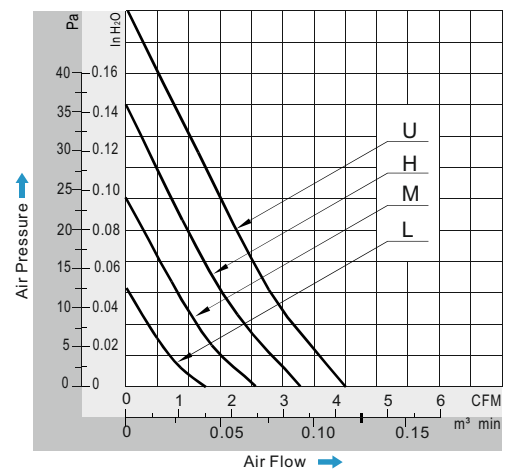
Mounting Panel Cutout (Unit:mm)



Specifications

Model	#Bearing Type	Rated Voltage	Operating Voltage	Input Current	Input Power	Speed	Max Air Flow	Max Static Pressure	Noise	Weight
Part No.	S	VDC	VDC	Amp	Watt	RPM	CFM m ³ /min	Inch-H ₂ O Pa	dB-A	g
DA03007#05U	S	5	3.5~5.5	0.22	1.10	12000	4.07 0.12	0.20 48.94	35.0	6.0
DA03007#05H	S	5	3.5~5.5	0.18	0.90	10000	3.34 0.09	0.14 35.60	31.0	6.0
DA03007#05M	S	5	3.5~5.5	0.14	0.70	8000	2.48 0.07	0.10 23.93	26.0	6.0
DA03007#05L	S	5	3.5~5.5	0.10	0.50	6000	1.57 0.04	0.05 11.67	22.0	6.0
DA03007#12U	S	12	7.0~13.8	0.12	1.44	12000	4.07 0.12	0.20 48.94	35.0	6.0
DA03007#12H	S	12	7.0~13.8	0.09	1.08	10000	3.34 0.09	0.14 35.60	31.0	6.0
DA03007#12M	S	12	7.0~13.8	0.07	0.84	8000	2.48 0.07	0.10 23.93	26.0	6.0
DA03007#12L	S	12	7.0~13.8	0.05	0.60	6000	1.57 0.04	0.05 11.67	22.0	6.0

PQ Curve (At Rated Voltage)



Safety Standards



DC Fans Specials



Specifications are subject to change without notice. Please visit our website www.bede.de for further information and support.
M-FAN is a trademark of Shenzhen Huaxia Hengtai Electronic Co.,Ltd.