

120x120x25mm
AC100~240V Full range AC voltage input

NEW

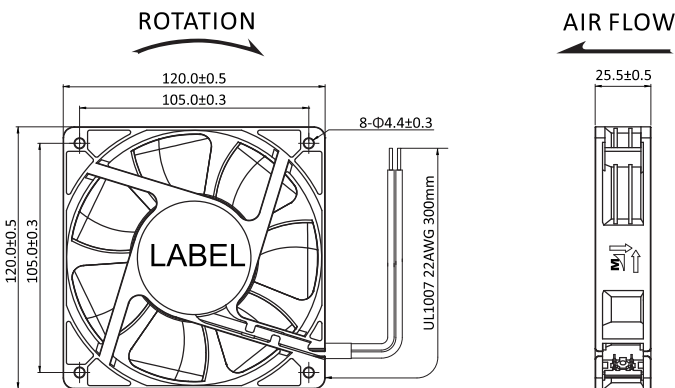


AF12025 AC/DC Fan

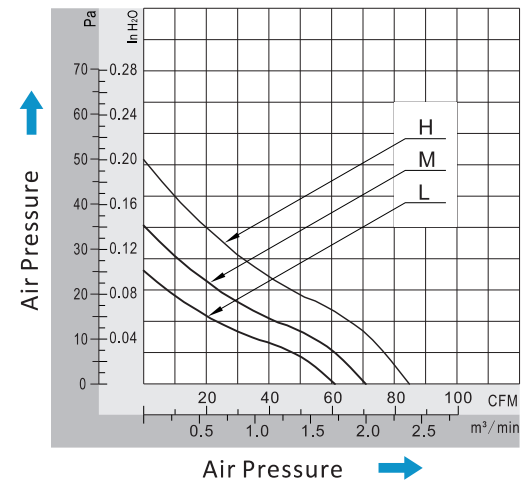
General Specifications

- ◆ Frame Size..... 120x120x25mm
- ◆ Material..... Frame: Plastic (UL94V-0), Impeller: Plastic (UL94V-0)
Lead Wire: UL1007 22# black Terminal: 2.5mm
- ◆ Motor..... AF-AC Frequency-Switching Fan Motor
- ◆ Input Voltage..... 100V~ 240V (50/60Hz) (AC & DC)
- ◆ Dielectric Strength.... 50/60Hz, 1500VAC 1Min. (between input terminal and frame)
- ◆ Expected Life..... Ball Bearing 50000hrs (40°C)
- ◆ Temperature Range... Operating temperature -10°C~+70°C (Non-condensing)
Storage temperature -40°C~+70°C (Non-condensing)
- ◆ Sensor-Lead Wire..... FG Yellow, RD White, ⊕ Brown with UL1007 22#

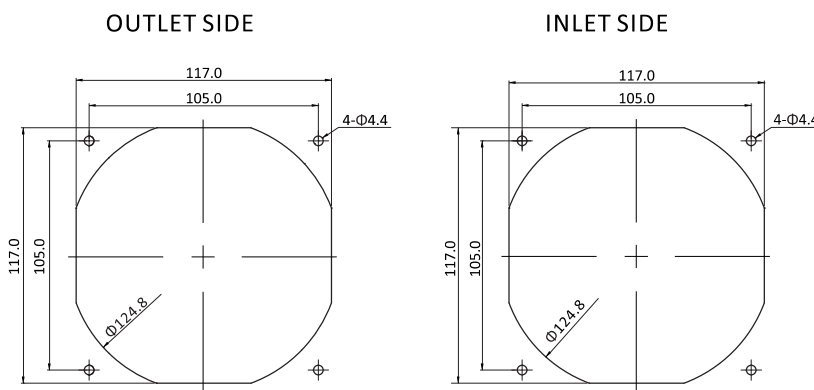
Dimensions (Unit: mm)



PQ Curve (At Rated Voltage)



Mounting Panel Cutout (Unit: mm)



Safety Standards



Fans Specials



Specifications

Model	Bearing Type	Rated Voltage	Frequenz	Rated Current	Input Power	Speed	Max Air Flow	Max Static Pressure	Noise	Weight
Part No.	DB/S	VAC & VDC	Hz	Amp	Watt	RPM	CFM m³/min	Inch-H2O PA	dB-A	g
AF12025B**HL(T)	Dual Ball	100~240	-	0.10	5,10	3000	85,6 2,421	0,20 50	39,6	147
AF12025B**ML(T)	Dual Ball	100~240	-	0.08	3,80	2600	70,2 1,985	0,14 35	36,5	147
AF12025B**LL(T)	Dual Ball	100~240	-	0.06	2,40	2200	60,9 1,724	0,10 25	32,9	147